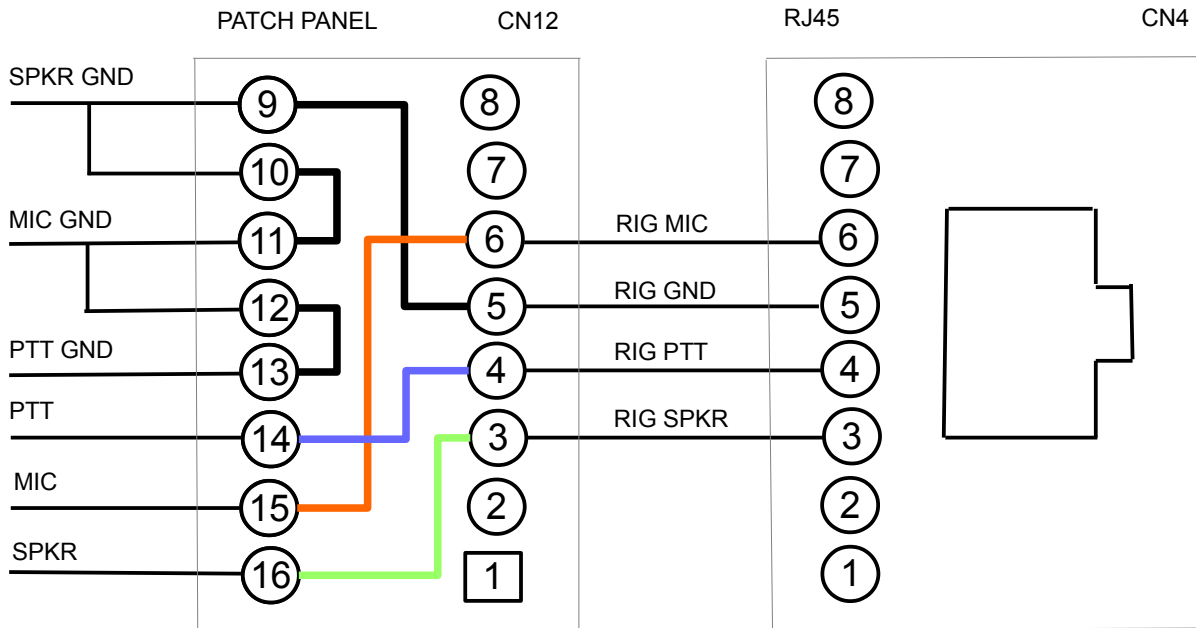
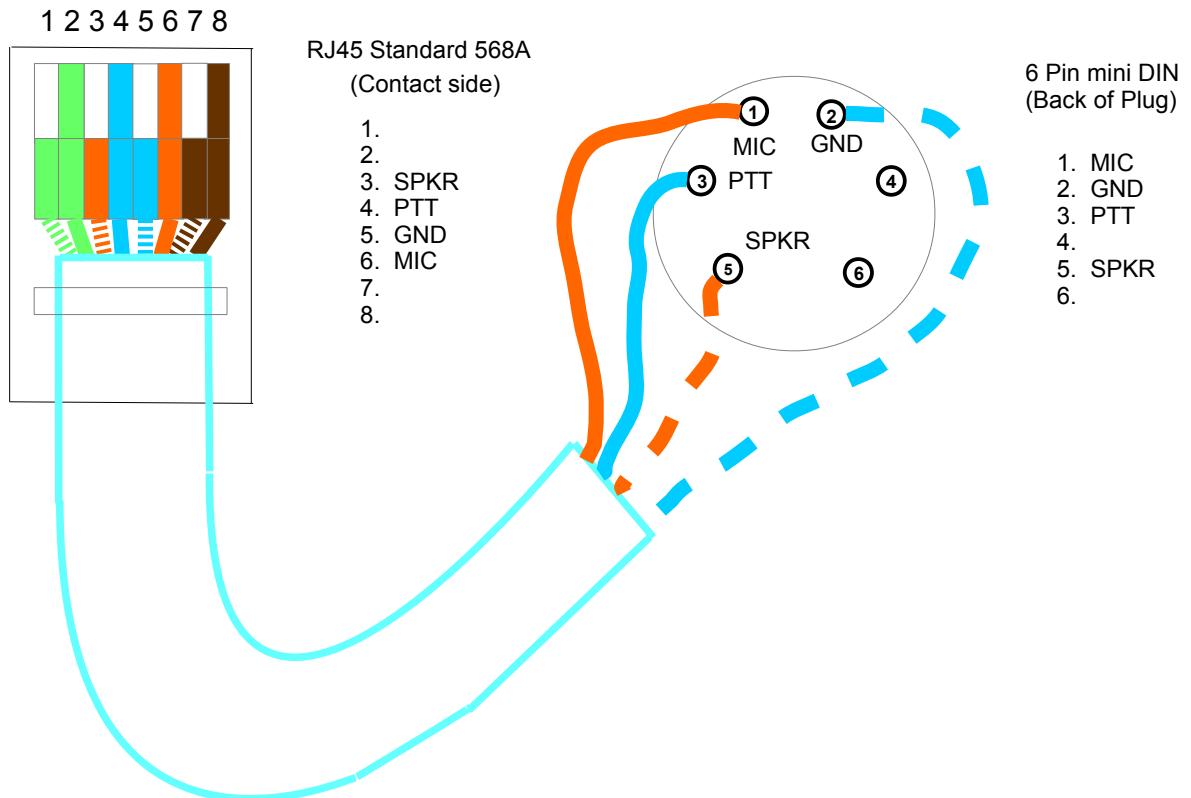


IC7000/IC706 connection to SM1000



Cable adaptor RJ45 Plug to 6 pin mini DIN male plug



NOTES

1. A straight RJ45-RJ45 patch cable can be used between the MIC socket on the IC7000/IC706 and the SM1000. If this is done then a separate RIG SPKR cable is required with the IC7000 as speaker out is not available on the MIC socket.
2. This should also be suitable for other radios using 6 pin mini DIN DATA socket