



# American Power Design, Inc.

"The best high voltage design solution"

## PRODUCT SPECIFICATION SHEET

Model Number: SP7067 (Rev C)

### Electrical Specifications:

Input Voltage.	10V to 13Vdc
Input Filter.	Low ESR Capacitor
Output Voltage.	Output 1: 180 Vdc +/- 5%
Line Regulation.	+/- 0.5%
Load Regulation.	+/- 3% (10% to Full Load)
Output Current.	Output 1: 35 mA
Logic Shutdown.	N/A
Short Circuit Protection.	Continuous
Ripple.	< 900mv P-P
Frequency.	100 kHz
Efficiency.	78% typ.

### General Specifications:

Max. Operating Temperature.	90 Deg. C (Case)
Size.	1.0" x 2.0" x 0.40"
Case Finish.	Black Coated Metal
Isolation.	2200Vdc

Note: Use external 2A input fuse



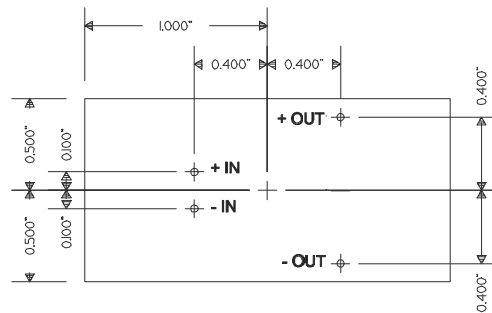
American Power Design, Inc.

"The best high voltage design solution"

## PRODUCT SPECIFICATION SHEET

Model Number: SP7067 (Rev C)

### Mechanical Specifications:



(Bottom View)

