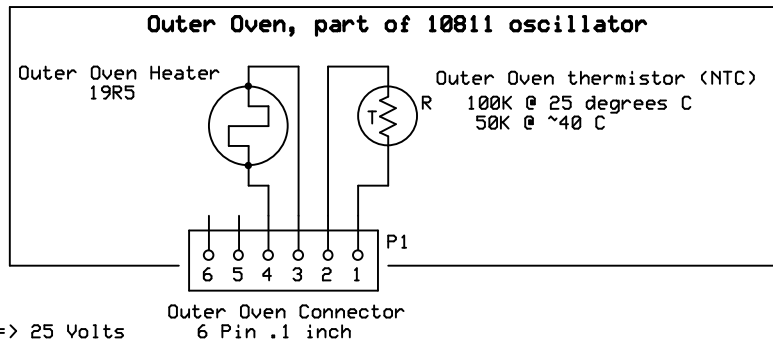
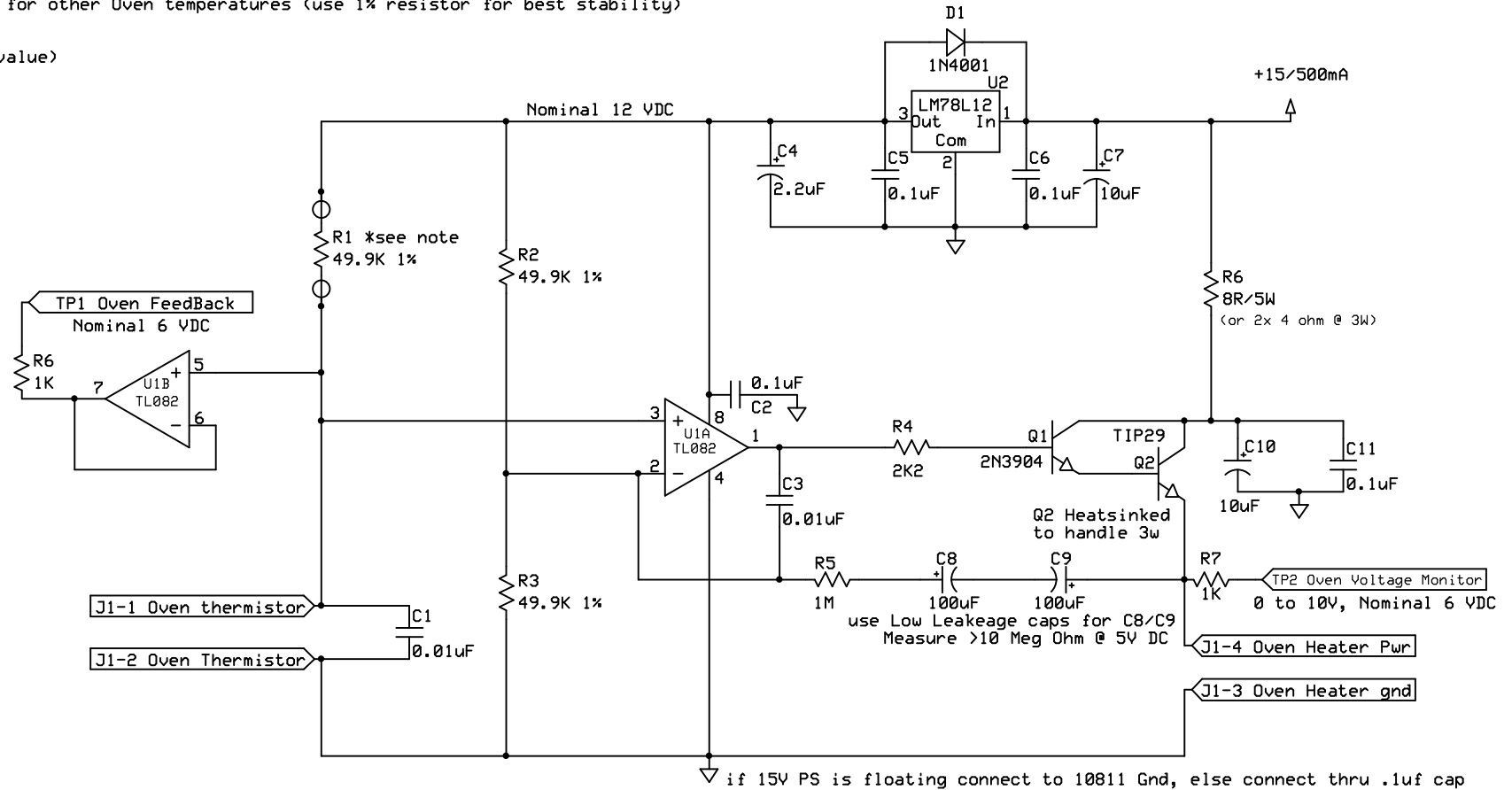


R1 Note:

The suggested value of 49.9K controls the oven temperature at ~40 deg C

The value can be changed to operate the oven at a different temperature
 Approx R1 values for other Oven temperatures (use 1% resistor for best stability)

- 33 C ~ 70K
- 36 C ~ 60K
- 40 C ~ 50K (nom value)
- 45 C ~ 40K
- 50 C ~ 35K
- 55 C ~ 30K



All Resistor values in Ohms
 All Capacitor values in uF @ => 25 Volts

Outer Oven Connector
 6 Pin .1 inch

Warren S. Design		
10811 Outer Oven Controller		
Drawn by: Mark S, Warren S	Rev 0.79 17/07/2013	Page 1/1